

# DF5100HD-DN/IR Series

# Primeline MK2

High Definition Camera, 2/5 MP, H.265, day/night, VCA, HDR, PoE, integrated IR illumination, motor-driven varifocal lens, box housing with wall mount bracket



ONVIF | S T



The cameras of the Primeline series offer an economical balance of highest resolution and light sensitivity. Their high-resolution image sensor has very good light sensitivity and delivers detailed color images even in low light conditions. The combination of the most advanced encoder technology and the sophisticated image processing results in real-time recordings with high resolution at excellent contrast, brilliant clarity and highest color fidelity.

## Resolution and frame rate

The high resolution of the sensor and the sophisticated image processing allow for real-time recordings with a frame rate of 60 fps (1080p/60) or, depending on the variant, with up to 25 fps at a resolution of 4 MP. Thus, the camera is ideal for all applications that require the capture of very fast movements in high resolution.

## High Dynamic Range

The camera offers an HDR function for optimal recording of scenes with very bright and dark areas. Each image is captured with two special settings that are combined in real time to create a balanced result. The resulting video stream offers much more detail in both light and dark areas and is visually very close to the human eye's perception.

## Automatic switching of presets

The camera is equipped with an ambient light sensor and a removable IR cut filter and can automatically switch between day and night mode. In addition, different day and night presets can be defined and adjusted for the exposure settings.

## Integrated homogeneous IR illumination

The automatic Day/Night operation is supported by a uniform IR illumination with semi-covert 850 nm high power LEDs. In IR mode at night, the camera provides excellent results due to its high infrared sensitivity, thus meeting even the highest demands in 24-hour operation.

## Motor-driven varifocal lens with P-Iris

The camera has a motor-driven varifocal lens that is perfectly tuned to the image sensor. The adjustment of zoom, focus and iris is made conveniently using a web browser. The manual lens setting directly at the installation site of the camera is not required.

## Digital Image Shift

The Digital Image Shift function allows digital fine alignment of the image section for all resolutions below 5 MP, using a web browser for a convenient final adjustment. This ensures a quick and easy installation of the camera.

## Video Content Analysis

The integrated Video Content Analysis (VCA) detects movements and objects in the uncompressed image and analyzes them in real-time (depending on the analysis resolution) with highly developed analysis functions such as Intrusion Detection or Line Crossing. The detected events can be used to trigger the recording of a Dallmeier recording system. Together with the detected objects and the corresponding metadata, they are stored in a database. This allows the targeted search and evaluation of the recordings with Dallmeier Client software.

## EdgeStorage

The camera is equipped with a RAM memory that is used by the EdgeStorage function to store the video stream in case of a network failure (e.g. Spanning Tree, Bursts). When the network is restored, the SmartBackfill function ensures fast transmission to the Dallmeier recording system. This stores the video stream with high speed and then continues to record the live stream seamlessly.

## Further features

- Minimum illumination 0 lux (with IR LED On)
- Video compression H.264, H.265, MJPEG
- Automatic corridor mode supported
- Compatible with ONVIF Profile S and Profile T
- GDPR-compliant functions for data protection and security
- Outdoor wall mount bracket with internal cable routing
- Voltage supply with PoE (Class 0)

# DF5100HD-DN/IR Series

# Primeline MK2

High Definition Camera, 2/5 MP, H.265, day/night, VCA, HDR, PoE, integrated IR illumination, motor-driven varifocal lens, box housing with wall mount bracket

Variants	
007879	 <b>DF5120HD-DN/IR</b> High Definition Camera, 2 MP, H.265, day/night, VCA, HDR, PoE, integrated IR Illumination, box housing with wall mount bracket, motor-driven varifocal lens F1.4 / 3 – 10 mm
007802	 <b>DF5140HD-DN/IR</b> High Definition Camera, 5 MP, H.265, day/night, VCA, HDR, PoE, integrated IR Illumination, box housing with wall mount bracket, motor-driven varifocal lens F1.4 / 3 – 10 mm
Power Supply	
004316	 <b>PoE Midspan 30 W</b> Midspan power supply unit, 1x Ethernet port, 10/100/1000Base-T, 802.3at, 802.3af, 30 W
Wall Mount	
004386	 <b>WCPA - Support Plate Adapter<sup>1)</sup></b> Reinforcing support plate WCPA for adapting the wall brackets WBMA, WBOVA2 and IR housing wall mount bracket
Corner Mount	
004390	 <b>WCWA - Corner Mount Adapter<sup>1)</sup></b> Corner mount adapter WCWA for corner mounting
Pole Mount 65 - 110 mm	
004387	 <b>WSFPA - Pole Mount Adapter<sup>1)</sup></b> Pole mount adapter WSFPA for pole diameters 65 – 110 mm (2.6 – 4.3")
Pole Mount 210 - 225 mm	
004386	 <b>WCPA - Support Plate Adapter<sup>1)</sup></b> Reinforcing support plate WCPA for adapting the wall brackets WBMA, WBOVA2 and IR housing wall mount bracket
004388	 <b>DBHWGC - Pole Mount Adapter<sup>1)</sup></b> Pole mount adapter DBHWGC for pole diameters 210 – 225 mm (8.3 – 8.6")

1) Note: The color of this mounting accessories (gray-white) differs from that of the IR camera / wall mount bracket (white).

High Definition Camera, 2/5 MP, H.265, day/night, VCA, HDR, PoE, integrated IR illumination, motor-driven varifocal lens, box housing with wall mount bracket

Sensor	
Type	1/2.8" CMOS
Number of sensor pixels	5MP (2592 × 1944)
Light sensitivity	IR LED OFF: <0,03 lux IR LED On: 0 lux
Dynamic range	> 100 dB with HDR
Signal to noise ration	> 50 dB

Lens	F1.4 / 3 – 10 mm	F1.8 / 12 – 40 mm
Type	Motor-driven varifocal lens	Motor-driven varifocal lens
Format / Mount	1/3" Board Lens	1/3" Board Lens
Focal length	3 – 10 mm	12 – 40 mm
Iris range	F1.4 – Closed	F1.8 – Closed
Iris control	P-Iris (motor-driven)	P-Iris (motor-driven)
Zoom / Focus control	Motor-driven	Motor-driven
Minimum object distance	0.5 m	2.5 m
IR corrected	Yes	Yes
Available angles of view <sup>2)</sup> (H × V) at wide end	111,0° × 79,0° @ all 4:3 resolutions 111,0° × 59,2° @ all 16:9 resolutions	23,8° × 17,7° @ all 4:3 resolutions 23,8° × 13,2° @ all 16:9 resolutions
Available angles of view <sup>2)</sup> (H × V) at tele end	31,9° × 23,9° @ all 4:3 resolutions 31,9° × 17,8° @ all 16:9 resolutions	8,3° × 6,2° @ all 4:3 resolutions 8,3° × 4,7° @ all 16:9 resolutions

Format and Encoding	DF5120HD-DN/IR	DF5140HD-DN/IR
Video standard	SDTV (PAL/NTSC) HDTV (SMPTE 296M, SMPTE 274M)	
Resolution 4:3 <sup>3)</sup>	1,5 MP (1440 × 1080) @ 50/60 fps 1,2 MP (1280 × 960) @ 50/60 fps 640 × 480, 320 × 240 @ 50/60 fps	5 MP (2592 × 1944) @ 15 fps 3 MP (2016 × 1504) @ 25/30 fps 1,5 MP (1440 × 1080) @ 50/60 fps 1,2 MP (1280 × 960) @ 50/60 fps 640 × 480, 320 × 240 @ 50/60 fps
Resolution 16:9 <sup>3)</sup>	1080p (1920 × 1080) @ 50/60 fps 720p (1280 × 720) @ 50/60 fps 640 × 480, 640 × 368, 480 × 272, 320 × 240 @ 50/60 fps	4 MP (2592 × 1456) @ 25/30 fps 1080p (1920 × 1080) @ 50/60 fps 720p (1280 × 720) @ 50/60 fps 640 × 480, 640 × 368, 480 × 272, 320 × 240 @ 50/60 fps
Video compression	H.264, H.265, MJPEG	
Frame rate <sup>3)</sup>	Up to 60 fps	
Video bit rate	1 – 12 Mbps, constant and variable bit rate with priority setting for image quality <sup>4)</sup>	
Video streaming	Up to 4 streams with different settings simultaneously	
Audio compression	G.711	
Audio bit rate	64 kbps	
Live streaming transmission method	Unicast, Multicast	
Number of live streams / clients	Up to 4 streams with up to 12 Mbps simultaneously	

2) All specifications ±5%. Minor shadowing (vignetting) may occur at wide end settings greater than 90° due to the construction and do not constitute a defect.

3) If the HDR function is activated, a frame rate of maximum 25 fps can be used at all resolutions.

4) If the total available bit rate is not sufficient, not the image quality but the number of frames is adjusted.

High Definition Camera, 2/5 MP, H.265, day/night, VCA, HDR, PoE, integrated IR illumination, motor-driven varifocal lens, box housing with wall mount bracket

Functions	
Day/Night switching	Ambient light sensing and removable IR cut filter (ICR), switching threshold level adjustable
Black-and-white mode	Automatic (at low light or in night mode), On, Off
Automatic Electronic Shutter	1/1 – 1/8000 s
Slow Shutter Limit	1/1 – 1/1000 s
Lens control	Zoom control (Tele – Wide), Focus control (Far – Near, One-Push AF), Iris control (P-Iris) via web browser
Digital flip function	Horizontal, vertical or both axes
Corridor mode	Automatic (activation via user interface)
Digital Image Shift	Horizontal and vertical
Digital Noise Reduction	3D-DNR (adjustable by 10 levels)
Exposure presets	Universal, Indoor, Outdoor, Casino, Low-Light, User-Defined (with automatic day/night switching)
Exposure compensation	-2 EV (Exposure Value) to + 2 EV (adjustable by 200 levels)
Exposure metering	Average metering (light information from entire scene), center-weighted average metering, spot metering
Brightness adjustment	Automatic (ALC), Manual
Gain control	Automatic (AGC) with adjustable Gain Limit
White balance	Auto: ATW (Auto Tracking White Balance), One-Push AWB (Automatic White Balance) Fix: 2800K, 4000K, 5000K, 6500K and 7500K
Privacy Zone Masking	Hiding/masking of up to 16 protected areas (up to 100% of the entire image)
Alarm notification	Via DaVid protocol to PGuard advance, via E-Mail and FTP image upload in preparation
Alarm trigger	Application restart, EdgeStorage status
Video Content Analysis <sup>5)</sup>	Intrusion Detection (detection of access to a defined area) Line Crossing (detection of a virtual line crossing) Tamper Detection (detection of manipulations on the camera) Object Classification (classification of objects) Face Detection (detection of faces) <sup>6)</sup>

Protocols	
Ethernet protocols	IPv4 (ARP, ICMP, IGMPv2/IGMPv3), UDP, TCP, LLDP, CDP (v1,v2), DSCP (QoS), DNS, DHCP, NTP, HTTP/HTTPS <sup>7)</sup> , RTSP/RTP/RTCP, SNMP (v1, v2c, v3)
Ethernet protocols in preparation	IPv6 (NDP, ICMPv6, MLDv1/MLDv2, SLAAC, RDNSS), UDPv6, TCPv6, DNSv6, DHCPv6, LDAP
Communication protocols	DaVid, DaVidS, ONVIF Profile S, Profile T, SNMP (v1, v2c, v3)
Security	HTTPS <sup>7)</sup> encryption, SSL/TLS <sup>7)</sup> 1.2 (AES), network access control according to IEEE 802.1X <sup>7)</sup>

Connections	
Ethernet	1x RJ45, 10BASE-T-/100BASE-TX PoE

IR Illumination	
Type	Semi-covert 850 nm high power LEDs
IR intensity	Adjustable
Day/Night switching threshold level	Adjustable
Range	Up to approx. 30 m
Beam angle	Approx. 90°

Electrical Data	
Voltage supply	PoE (Class 0)
PoE standard	IEEE 802.3af
Power consumption	Max. 12.95 W

5) Depending on the CPU load.

6) The function detects the presence of a face (Face Detection). The analysis of visible features and the link to person data (Face Recognition) are not supported.

7) This product includes software developed by the OpenSSL Project for use in the OpenSSL Toolkit (<http://www.openssl.org>) and cryptographic software written by Eric Young ([ey@cryptsoft.com](mailto:ey@cryptsoft.com)).

# DF5100HD-DN/IR Series

# Primeline MK2

High Definition Camera, 2/5 MP, H.265, day/night, VCA, HDR, PoE, integrated IR illumination, motor-driven varifocal lens, box housing with wall mount bracket

Mechanical Data	
Dimensions	See technical drawings
Weight	Approx. 2.2 kg (4.9 lb) with wall mount bracket
Adjustment	2-axes
Construction material	Aluminium
IP rating	IP66
Color	White

Environmental Conditions	
Operating temperature	-40°C to +50°C (-40°F to 122°F), minimum start-up temperature -30°C (-22°F)
Relative humidity	0% - 90% RH, non-condensing

Miscellaneous	
Ambient light sensor	Integrated
Microphone	Integrated
Local memory	50 MB RAM memory
Memory extension	microSDXC 32/64 GB, Class 10, UHS-I (optional)
Configuration and live video	Via web browser (all major platforms)
Languages	German, English
Programming interface	Open platform for integration into 3rd party systems using API
ONVIF compliance	Profile S, Profile T
GDPR compliance	Supported

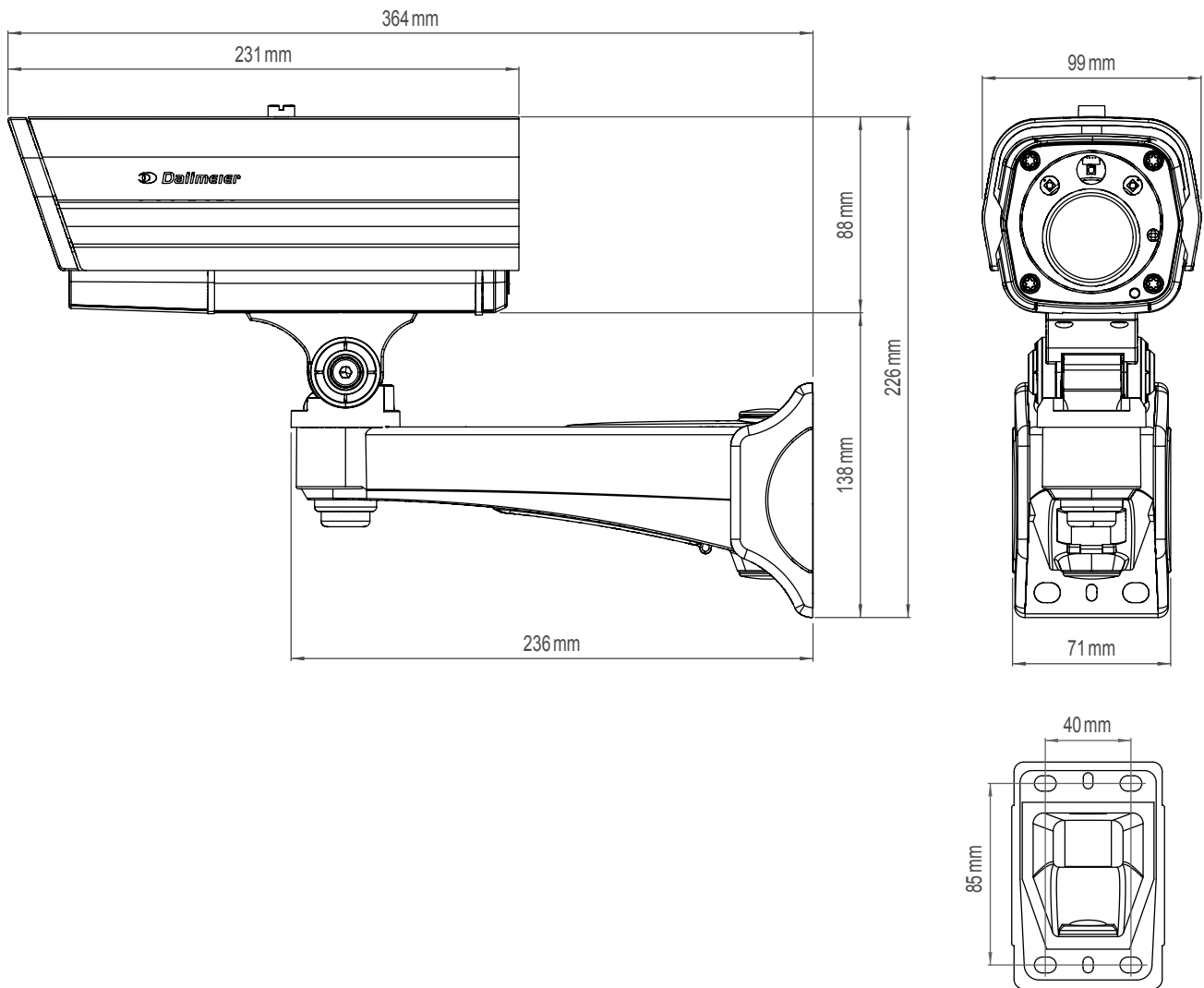
  

Approvals/Certifications	
Type	CE, FCC, RCM, UL, DIN EN 50130-4 compliant, IEC/EN 62471 compliant

# DF5100HD-DN/IR Series

# Primeline MK2

High Definition Camera, 2/5 MP, H.265, day/night, VCA, HDR, PoE, integrated IR illumination, motor-driven varifocal lens, box housing with wall mount bracket



Dallmeier electronic GmbH & Co.KG | Bahnhofstr. 16, 93047 Regensburg, Germany | +49 941 8700-0 | [dallmeier.com](http://dallmeier.com)

All trademarks identified by \* are registered trademarks of Dallmeier electronic GmbH & Co.KG.

Third-party trademarks are named for information purposes only. Dallmeier electronic respects the intellectual property of third parties and always attempts to ensure the complete identification of third-party trademarks and indication of the respective holder of rights. In case that protected rights are not indicated separately, this circumstance is no reason to assume that the respective trademark is unprotected.

Specifications subject to change without notice. Errors and misprints excepted. Pictures may differ from the actual product.



See more.