

DDZ5200HD Indoor Series

High Definition Camera, 2 MP, 1080p/30, H.265, Day/Night, Pan/Tilt/Zoom with 20x/32x Optical Zoom, PoE+, Dome Housing

Available

Q2/3 2020



ONVIF | S



The cameras of the **DDZ5200HD Indoor** series are high-speed PTZ network cameras with **20x/32x optical zoom**. They are equipped with a high-performance Pan-Tilt-Zoom mechanism and provide real-time high-definition video with up to **60 fps at a resolution of up to 2 MP**. The most **advanced sensor and encoder technology** and the sophisticated **image processing** provide recordings with excellent contrast, brilliant clarity as well as highest detail resolution and color fidelity.

Very good Low-Light characteristics

The **very good light sensitivity** of the sensor and the sophisticated **image processing** ensure crisp color images even in low lighting. In night mode, the camera also provides outstanding results due to the **good infrared sensitivity**.

H.265 Support

The cameras are equipped with encoder technology that supports encoding of the video stream according to the H.265 standard. This allows the **data rate to be reduced by up to 50%** compared to H.264 with the same resolution and image quality. In conjunction with the latest Dallmeier recording systems, a **significant reduction in network and storage utilization** can be achieved.

Automatic switching of presets

The camera is equipped with a **removable IR cut filter** and can automatically switch between **day and night mode**. In addition, **different day and night presets** can be defined and adjusted for the exposure settings.

Variants

The **DDZ5220HD** and **DDZ5232HD Indoor** dome cameras are offered in an in-ceiling or surface mount housing for indoor use. They can be supplied conventionally with an external power supply unit or conveniently **Power over Ethernet (PoE+)**.

Plenum Rated

The **in-ceiling variant** of the camera is tested according to the stringent **requirements of the UL 2043** relating to flame retardancy and low smoke emission. Thus, it is approved for **installation in air-conducting spaces** and can be mounted for example in false ceilings dissipating the air to a central air conditioning.

EdgeStorage

The camera is equipped with a **RAM memory** that is used by the **EdgeStorage** function to store the video stream in case of a network failure (e.g. Spanning Tree, Bursts). When the network is restored, the **SmartBackfill** function ensures fast transmission to the **SMAVIA recording system**. This stores the video stream with high speed and then continues to record the live stream seamlessly.

Further features

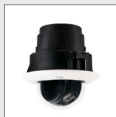
- 1/2.8" CMOS image sensor
- High-speed PTZ dome for indoor areas
- 20x/32x optical zoom with auto-focus
- Day/Night switching with removable IR cut filter (ICR)
- Day/Night switching with change of presets
- Memory expansion with microSDXC card
- Wide Dynamic Range of 120 dB
- 3D Digital Noise Reduction (3D DNR)
- Resolution up to 2 MP (1920 × 1080) at 60fps
- Video compression H.264, H.265, MJPEG
- 300 programmable preset positions
- 8 patrols (up to 32 presets per patrol)
- 4 patterns (recording time up to 10 minutes per pattern)
- Functions for data protection and data security (GDPR-compliant)
- UL 2043 "plenum rated" compliant (in-ceiling variant)

DDZ5200HD Indoor Series

High Definition Camera, 2 MP, 1080p/30, H.265, Day/Night,
Pan/Tilt/Zoom with 20×/32× Optical Zoom, PoE+, Dome Housing

In-Ceiling Variants

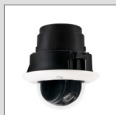
007907



DDZ5220HD Indoor IM

High Definition Camera, 2 MP, 1080p/60, H.265, day/night,
pan/tilt/zoom with 20× optical zoom, PoE+, dome housing,
in-ceiling mount variant, F1.6 – F3.5 / 4,5 – 94 mm

007908



DDZ5232HD Indoor IM

High Definition Camera, 2 MP, 1080p/60, H.265, day/night,
pan/tilt/zoom with 32× optical zoom, PoE+, dome housing,
in-ceiling mount variant, F1.6 – F4.4 / 4,5 – 144 mm

Surface Variants

007909



DDZ5220HD Indoor SM

High Definition Camera, 2 MP, 1080p/60, H.265, day/night,
pan/tilt/zoom with 20× optical zoom, PoE+, dome housing,
surface mount variant, F1.6 – F3.5 / 4,5 – 94 mm

007910



DDZ5232HD Indoor SM

High Definition Camera, 2 MP, 1080p/60, H.265, day/night,
pan/tilt/zoom with 32× optical zoom, PoE+, dome housing,
surface mount variant, F1.6 – F4.4 / 4,5 – 144 mm

DDZ5200HD Indoor Series

High Definition Camera, 2 MP, 1080p/30, H.265, Day/Night,
Pan/Tilt/Zoom with 20x/32x Optical Zoom, PoE+, Dome Housing

Sensor	
Type	1/2.8" CMOS
Number of sensor pixels	2MP
Light sensitivity	0,05 lux (F1.6, AGC On)
Dynamic range	120 dB
Signal to noise ration	> 50 dB

Lens	20x	32x
Focal length	4.7 – 94 mm	4,5 – 144 mm
Aperture range	F1.6 – F3.5	F1.6 – F4.4
Minimum object distance (wide – tele)	0.01 – 1.5 m	0.01 – 1.5 m
Angle of view at full resolution (wide – tele)	Approx. 58° – 3°	Ca. 61,4° – 2,1°
Zoom speed (wide – tele)	Approx. 2.7 s	Ca. 4,1 s

PTZ Functions	
Pan range	360° endless
Tilt range	–5° to 90° (Auto Flip)
Pan speed	Manual speed 0.1° – 300°/s Preset speed 540°/s
Tilt speed	Manual speed 0.1° – 240°/s Preset speed 400°/s
Proportional zoom	Rotation speed can be adjusted automatically according to zoom
Number of presets	300
Patrol	8 patrols (up to 32 presets per patrol)
Pattern	4 patterns (recording time up to 10 minutes per pattern)

Format and Encoding	
Video standard	SDTV (PAL/NTSC) HDTV (SMPTE 296M, SMPTE 274M)
Resolution 16:9	1080p (1920 × 1080) @ 50/60 fps 720p (1280 × 720) @ 50/60 fps
Video compression	H.264, H.265, MJPEG
Frame rate	Up to 60 fps
Video bit rate	1 – 8 Mbps, CBR (constant bit rate), VBR (variable bit rate), with priority setting for image quality ¹⁾
Audio compression	G.711
Audio bit rate	64 kbps
Live streaming transmission method	Unicast, Multicast
Number of live streams / clients	Up to 5 streams with up to 8 Mbps simultaneously

1) If the total available bit rate is not sufficient, not the image quality but the number of frames is adjusted.

DDZ5200HD Indoor Series

High Definition Camera, 2 MP, 1080p/30, H.265, Day/Night,
Pan/Tilt/Zoom with 20×/32× Optical Zoom, PoE+, Dome Housing

Functions	
Day/Night switching	Removable IR cut filter (ICR), switching threshold level adjustable
Black-and-white mode	Automatic (at low light or in night mode), On, Off
Automatic Electronic Shutter	1/1 – 1/30,000 s
Slow Shutter Limit	1/1 – 1/1,000 s
Lens control	Auto focus
Digital flip function	Horizontal, vertical or both axes
Digital Noise Reduction	3D-DNR (adjustable by 10 levels)
Backlight Compensation (BLC)	Supported
Highlight Compensation (HLC)	Supported
Exposure presets	Universal, Indoor, Outdoor, Casino, Low-Light, User-Defined (with automatic day/night switching)
Exposure metering	Average metering (light information from entire scene), center-weighted average metering, spot metering
Brightness adjustment	Automatic (ALC), Manual
Gain control	Automatic (AGC) with adjustable Gain Limit
White balance	Auto: ATW (Auto Tracking White Balance) Fixed: 2800K, 4000K, 5000K
Privacy Zone Masking	Hiding/masking of up to 24 protected areas (up to 100% of the entire image), different colors, squares, polygons
Alarm notification	Via DaVid protocol to PGuard advance
Alarm trigger	EdgeStorage status

Protocols	
Ethernet protocols	IPv4 (ARP, ICMP, IGMPv2/IGMPv3), UDP, TCP, LLDP, CDP (v1,v2), DSCP (QoS), DNS, DHCP, NTP, HTTP/HTTPS ²⁾ , RTSP/RTP/RTCP, SNMP (v1, v2c, v3)
Ethernet protocols in preparation	IPv6 (NDP, ICMPv6, MLDv1/MLDv2, SLAAC, RDNS), UDPv6, TCPv6, DNSv6, DHCPv6, LDAP
Communication protocols	DaVid, DaVidS, ONVIF Profile S, SNMP (v1, v2c, v3)
Security	HTTPS ²⁾ encryption, SSL/TLS ²⁾ 1.2 (AES), network access control according to IEEE 802.1X ²⁾

Connections	
Ethernet	1× RJ45, 10BASE-T/100BASE-TX (PoE+)
Power IN	1× 24 V AC on Weidmüller male connector SL 3.50/02/90G
Audio Line IN	1× 3.5 mm phone jack (mono TS) Input level: 2 – 2.4 V _{p-p} Input impedance: 1 kΩ
Audio Line OUT	1× 3.5 mm phone jack (mono TS) Output impedance: 600 Ω
Contact IN	7× on Weidmüller male connector S2L 3.50/12/90G
Relay OUT	2× on Weidmüller male connector S2L 3.50/12/90G
Serial interface ³⁾	1× RS485 on Weidmüller male connector S2L 3.50/12/90G (half duplex)

Electrical Data	
Voltage supply	24 V AC ±10% (50/60 Hz) PoE+
PoE standard	IEEE 802.3at
Power consumption	Max. 25 W

2) This product includes software developed by the OpenSSL Project for use in the OpenSSL Toolkit (<http://www.openssl.org>) and cryptographic software written by Eric Young (ey@cryptsoft.com).
3) Function in preparation

DDZ5200HD Indoor Series

High Definition Camera, 2 MP, 1080p/30, H.265, Day/Night,
Pan/Tilt/Zoom with 20×/32× Optical Zoom, PoE+, Dome Housing

Mechanical Data	In-Ceiling Variants	Surface Variants
Dimensions	Approx. Ø 245 × H 267 mm Ø 9.6 × H 10.5 inches	Approx. Ø 179 × H 266 mm Ø 7.0 × H 10.5 inches
Weight	Approx. 3.1 kg	Approx. 3.5 kg
Bubble	Clear	Clear
Vandal-resistant	--	--
IK protection	--	--
Rating	Plenum Rated (UL 2043)	--
Color	Black with white housing ring	Black

Environmental Conditions	In-Ceiling Variants	Surface Variants
Operating temperature	-10°C to +50°C (14°F to 122°F)	-10°C to +50°C (14°F to 122°F)
Relative humidity	0% - 90% RH, non-condensing	0% - 90% RH, non-condensing

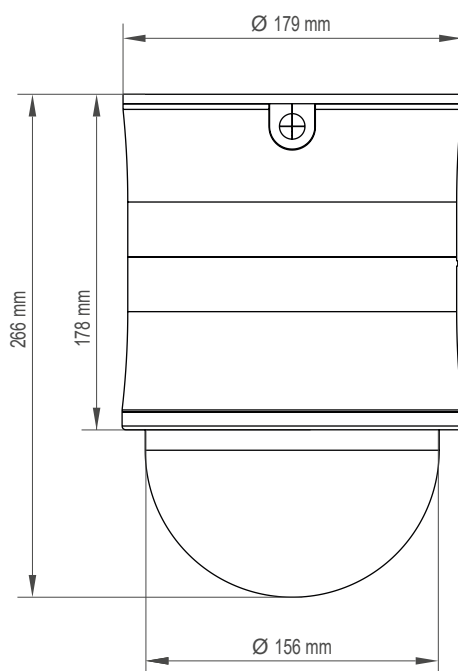
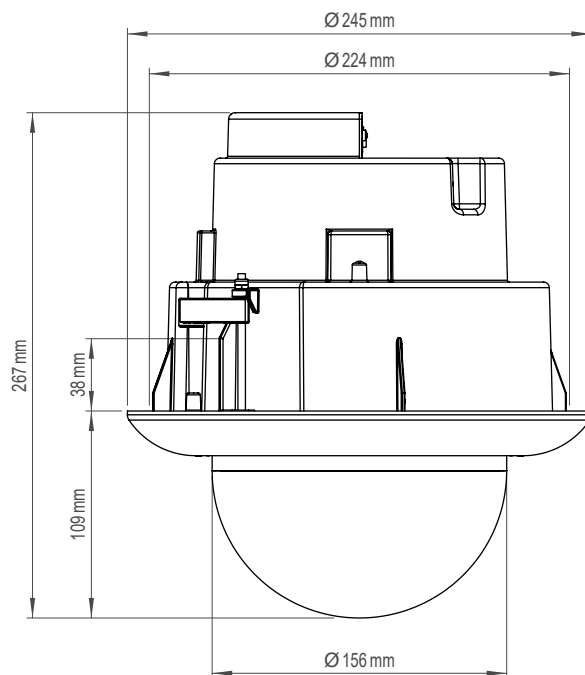
Miscellaneous	
Local memory	30 MB RAM memory
Memory extension	microSDXC 32/64 GB, Class 10, UHS-II (optional)
Configuration and live video	Via web browser (all major platforms)
Languages	German, English
Programming interface	Open platform for integration into 3rd party systems using API and ActiveX ⁴⁾
ONVIF compliance	Profile S
GDPR compliance	Supported

Approvals/Certifications	
Type	CE, DIN EN 50130-4 compliant

4) ActiveX is a trademark or registered trademark of Microsoft Corporation headquartered in Redmond, Washington, USA

DDZ5200HD Indoor Series

High Definition Camera, 2 MP, 1080p/30, H.265, Day/Night,
Pan/Tilt/Zoom with 20x/32x Optical Zoom, PoE+, Dome Housing



Dallmeier electronic GmbH & Co.KG | Bahnhofstr. 16, 93047 Regensburg, Germany | +49 941 8700-0 | dallmeier.com

All trademarks identified by * are registered trademarks of Dallmeier electronic GmbH & Co.KG.

Third-party trademarks are named for information purposes only. Dallmeier electronic respects the intellectual property of third parties and always attempts to ensure the complete identification of third-party trademarks and indication of the respective holder of rights. In case that protected rights are not indicated separately, this circumstance is no reason to assume that the respective trademark is unprotected.

Specifications subject to change without notice. Errors and misprints excepted. Pictures may differ from the actual product.



See more.