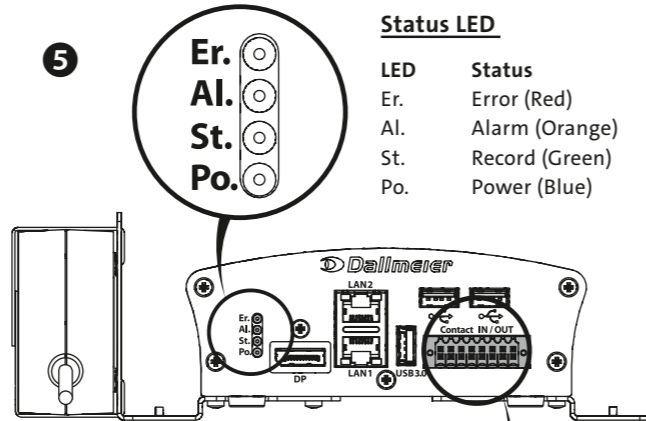
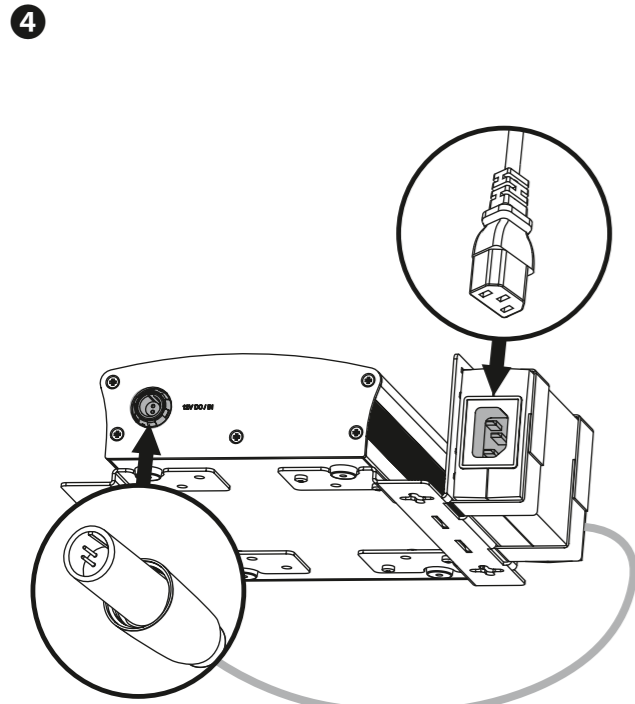
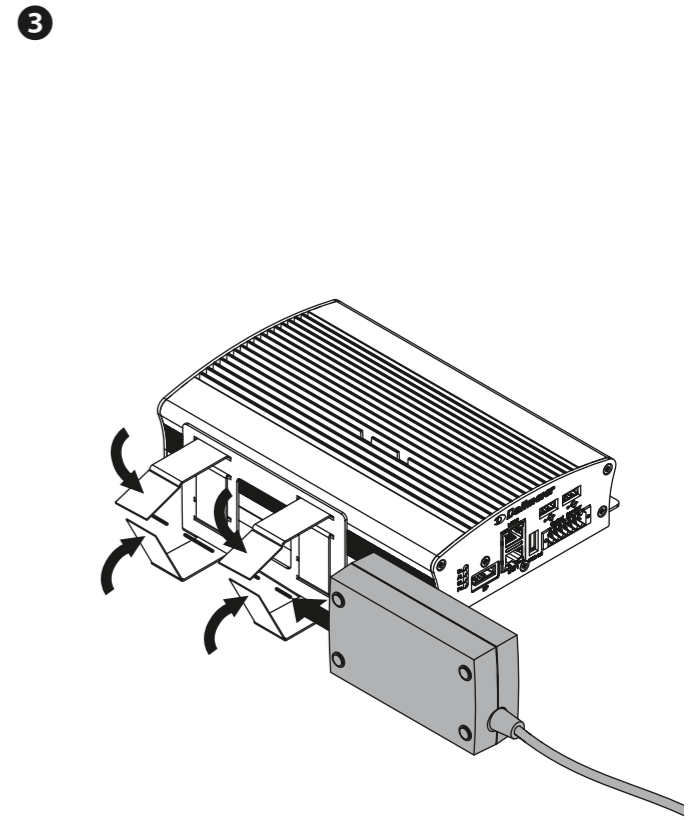
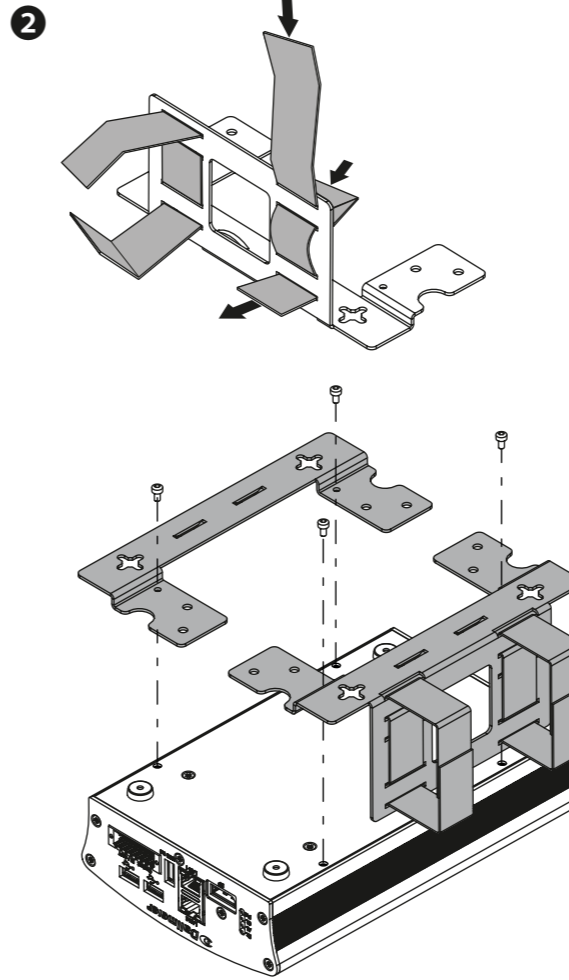
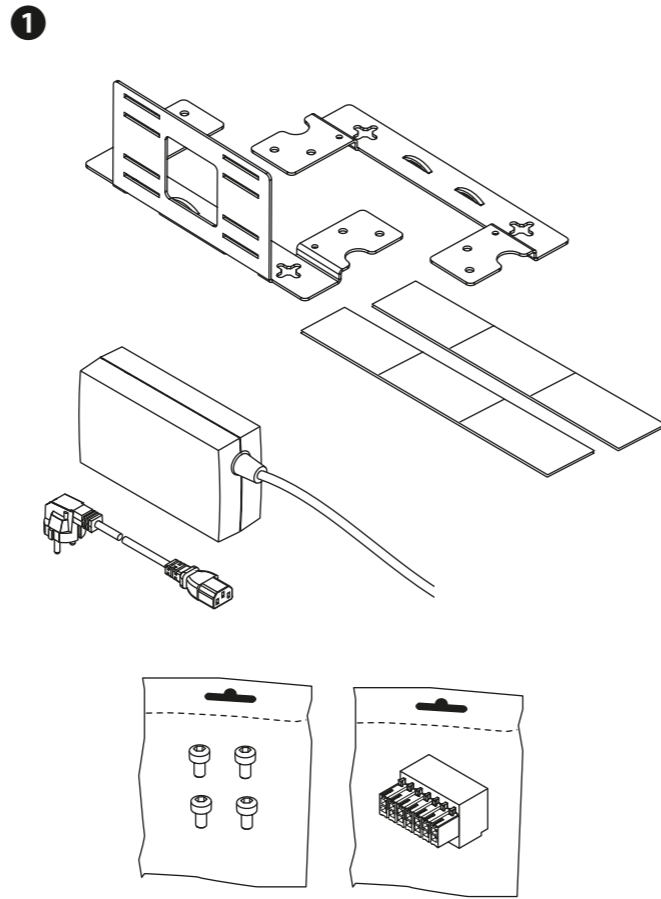
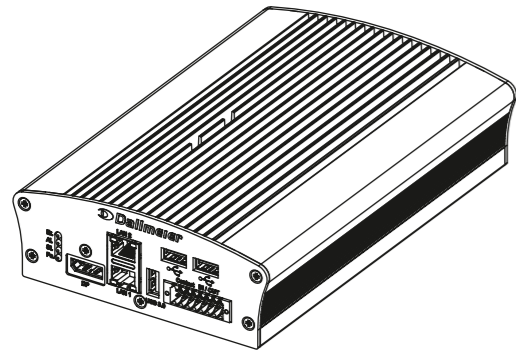


# SRS Edge

## Commissioning



### Status LED

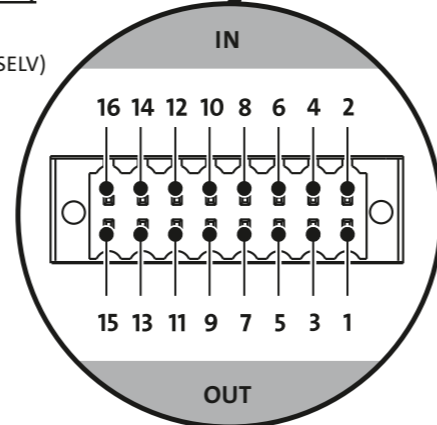
LED	Status
Er.	Error (Red)
Al.	Alarm (Orange)
St.	Record (Green)
Po.	Power (Blue)

### Control inputs (Contact IN)

PIN	Function
2/4	+5VDC isolated (SELV)
6	Contact 1
8	Contact 2
10	Contact 3
12	Contact 4
14/16	GND isolated

### Relay (Contact OUT)

PIN	Function
1/3	Relay 1
5/7	Relay 2
9/11	Relay 3
13/15	Relay 4



### SRS Edge Data

Electrical Data	
Voltage supply	12 V DC $\pm$ 5%
Power consumption	Max. 15 W
Thermal output	Max. 51 BTU/h

### Mechanical Data

Dimensions (W x H x D)	Approx. 135 x 50 x 205 mm
Weight	Approx. 2 kg (4.4 lb)
Color	Black (anodized)

### Ambient Data

Temperature	-30°C up to +65°C (-22°F - 149°F)
Humidity	5 - 70% RH, non-condensing
Atmospheric load	Dust-free

