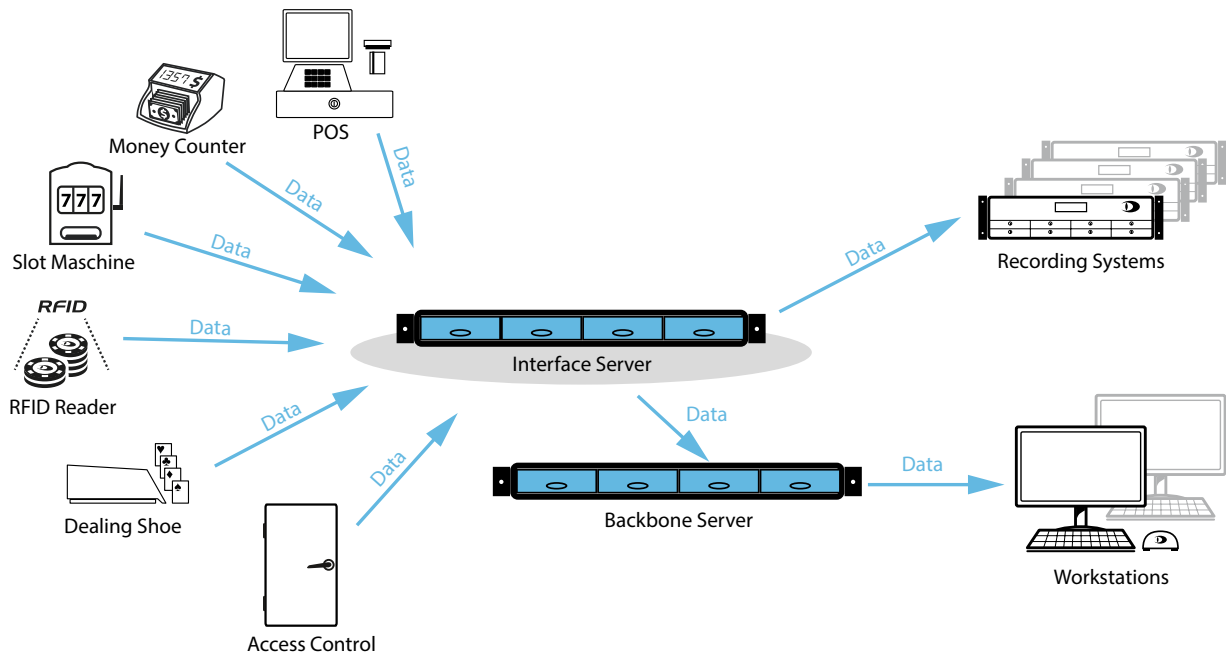


# SeMSy® Interface Module

HEMISPHERE® SeMSy® Interface Module with interfaces to external systems in a HEMISPHERE® Security and Business Management System




The HEMISPHERE® SeMSy® Video Management System combines the proven concept of its predecessors with new dynamics and flexibility. The optimized license model with administration on the central HEMISPHERE® Backbone Server allows a simple, fast and secure adaptation and expansion of the entire system during operation.



The HEMISPHERE® SeMSy® Interface Module provides an interface to external devices in a SeMSy® video management system. The module receives data from external devices (e.g. POS, access control, dealing shoe) via Ethernet and stores them in the integrated database. The received data can be processed and forwarded to various systems to trigger an action.

- Database for local configuration and external data integrated
- Direct connection of up to 500 external devices via Ethernet (e.g. Baccarat)
- Indirect connection over a 3rd party server of up to 2,000 external devices via Ethernet (e.g. LeneI)
- Processing and forwarding of messages in real-time
- Receiving of configuration data from SeMSy® Setup Server
- Optimal adaptation by licensing individual plugins
- Operating system Microsoft Windows<sup>1)</sup> 10 Pro 64 Bit
- Operating system Microsoft Windows<sup>1)</sup> Server 2012R2 64 Bit (Failover Clustering)
- Licensing of the module and the various plugins with the HEMISPHERE® Site Dongle

License	
007393	<b>DLD - HEMISPHERE® SeMSy® Interface Module</b> License for the use of one Interface Module for the connection of 3rd party systems on one server, without licenses for interface plugins (1x license for HEMISPHERE® Site Dongle)
Server	
004847	 <b>Server Rack-Mount 1RU</b> Server hardware, 1RU rack-mount, quad-core 3.0GHz CPU, 16 GB DDR4 RAM, up to 4x 3.5" HDDs, 2x redundant power supplies, without HDDs, RAID 1 and license for Microsoft Windows 10 Pro included
Software	
005679	<b>License for Microsoft Windows 10 Pro 64 Bit (IoT)</b> IoT license for the operating system Microsoft Windows 10 Pro 64 Bit, required for operation in a virtual environment (VMware ESXi instance)

1) Microsoft and Windows are trademarks or registered trademarks of Microsoft Corporation headquartered in Redmond, Washington, USA

# SeMSy® Interface Module

HEMISPHERE® SeMSy® Interface Module with interfaces to external systems  
in a HEMISPHERE® Security and Business Management System



Plugin Licenses (Access Control Systems)	
007394	<b>DLD - HEMISPHERE® SeMSy® Plugin Cardax FT (OPC Bridge, 4.01)</b> License for the use of the Cardax FT plugin (OPC Bridge, 4.01) on one server, database search, on-screen alarms, live camera switching, alarm to 3rd party systems (1x license for the HEMISPHERE® Site Dongle)
007395	<b>DLD - HEMISPHERE® SeMSy® Plugin Cardax FT (Controller API, 5.20 2008)</b> License for the use of the Cardax FT plugin (Controller API, 5.20 2008) on one server, database search, on-screen alarms, live camera switching, alarm to 3rd party systems (1x license for the HEMISPHERE® Site Dongle)
007396	<b>DLD - HEMISPHERE® SeMSy® Plugin CEM (AC2000 Version 6)</b> License for the use of the CEM plugin (AC2000 Version 6) on one server, on-screen alarms, live camera switching (1x license for the HEMISPHERE® Site Dongle)
007397	<b>DLD - HEMISPHERE® SeMSy® Plugin CEM (AC2000 SE Version 6.5)</b> License for the use of the CEM plugin (AC2000 SE Version 6.5) on one server, on-screen alarms, live camera switching (1x license for the HEMISPHERE® Site Dongle)
007398	<b>DLD - HEMISPHERE® SeMSy® Plugin DSX Eventcast (3.0.0.1)</b> License for the use of the DSX Eventcast plugin (3.0.0.1) on one server, on-screen alarms, live camera switching (1x license for the HEMISPHERE® Site Dongle)
007399	<b>DLD - HEMISPHERE® SeMSy® Plugin Lenel OnGuard (7.0 / 7.6<sup>2)</sup>)</b> License for the use of the Lenel OnGuard plugin (7.0) on one server, text on video, database search, on-screen alarms, live camera switching (1x license for the HEMISPHERE® Site Dongle)
007400	<b>DLD - HEMISPHERE® SeMSy® Plugin Maxxess Axxess (4.4.0)</b> License for the use of the Maxxess Axxess plugin (4.4.0) on one server, on-screen alarms, live camera switching (1x license for the HEMISPHERE® Site Dongle)
007401	<b>DLD - HEMISPHERE® SeMSy® Plugin Maxxess eFusion (5.4.1 / 6.1.2)</b> License for the use of the Maxxess eFusion plugin (5.4.1 / 6.1.2) on one server, on-screen alarms, live camera switching (1x license for the HEMISPHERE® Site Dongle)

2) Version 7.6 is planned for certification by Lenel in Q4 2020.

Please note that versions 7.1 / 7.2 / 7.5 technically work with HEMISPHERE® SeMSy® but are not certified by Lenel and thus there is no support in case of issues.

# SeMSy® Interface Module

HEMISPHERE® SeMSy® Interface Module with interfaces to external systems  
in a HEMISPHERE® Security and Business Management System



Plugin Licenses (Dealing Shoe Systems)	
007402	<b>DLD - HEMISPHERE® SeMSy® Plugin AngelEye AE II (2008)</b> License for the use of the AngelEye AE II plugin (2008) on one server, up to 250 dealing shoes supported, text on video, database search, on-screen alarms, live camera switching (1x license for the HEMISPHERE® Site Dongle)
007403	<b>DLD - HEMISPHERE® SeMSy® Plugin AngelEye AE III (6.00 F)</b> License for the use of the AngelEye AE III plugin (6.00 F) on one server, up to 250 dealing shoes supported, text on video, database search, on-screen alarms, live camera switching (1x license for the HEMISPHERE® Site Dongle)
007404	<b>DLD - HEMISPHERE® SeMSy® Plugin AngelEye AE III Visual Mode</b> License for the use of the AngelEye AE III Visual Mode plugin on one server, up to 250 dealing shoes supported, text on video, database search, on-screen alarms, live camera switching (1x license for the HEMISPHERE® Site Dongle)
007405	<b>DLD - HEMISPHERE® SeMSy® Plugin Super AngelEye</b> License for the use of the Super AngelEye plugin on one server, up to 250 dealing shoes supported, text on video, database search, on-screen alarms, live camera switching (1x license for the HEMISPHERE® Site Dongle)
007406	<b>DLD - HEMISPHERE® SeMSy® Plugin AngelEye/ Huxley AE II-Ex (3.10)</b> License for the use of the AngelEye/Huxley AE II-Ex plugin (3.10) on one server, up to 250 dealing shoes supported, text on video, database search, on-screen alarms, live camera switching (1x license for the HEMISPHERE® Site Dongle)
007407	<b>DLD - HEMISPHERE® SeMSy® Plugin USPC Bee Shoe</b> License for the use of the USPC Bee Shoe plugin on one server, up to 250 dealing shoes supported, text on video, database search, on-screen alarms, live camera switching (1x license for the HEMISPHERE® Site Dongle)
Plugin Licenses (RFID Chip Inventory Systems)	
007408	<b>DLD - HEMISPHERE® SeMSy® Plugin GPI CIS (2.x / Magellan Technology)</b> License for the use of the GPI CIS plugin (2.x / Magellan Technology) on one server, text on video, database search (1x license for the HEMISPHERE® Site Dongle)
007409	<b>DLD - HEMISPHERE® SeMSy® Plugin GPI CIS (3.x / SMART Technology)</b> License for the use of the GPI CIS plugin (3.x / SMART Technology) on one server, text on video, database search (1x license for the HEMISPHERE® Site Dongle)
Plugin Licenses (Slot Machine Systems)	
007410	<b>DLD - HEMISPHERE® SeMSy® Plugin Bally ACSC (Version 11.2 EP6 and TCP/IP)</b> License for the use of the Bally ACSC plugin (Version 11.2 EP6 and TCP/IP) on one server, text on video, database search, on-screen alarms, live camera switching (1x license for the HEMISPHERE® Site Dongle)
007411	<b>DLD - HEMISPHERE® SeMSy® Plugin IGT ADI (45.4.74.400)</b> License for the use of the IGT ADI plugin (45.4.74.400) on one server, text on video, database search, on-screen alarms, live camera switching (1x license for the HEMISPHERE® Site Dongle)
007412	<b>DLD - HEMISPHERE® SeMSy® Plugin IGT ABS (9.1 sp 3)</b> License for the use of the IGT ABS plugin (9.1 sp 3) on one server, text on video, database search, on-screen alarms, live camera switching (1x license for the HEMISPHERE® Site Dongle)
007413	<b>DLD - HEMISPHERE® SeMSy® Plugin IGT Advantage (9.2 sbX and ABS)</b> License for the use of the IGT Advantage plugin (9.2 sbX and ABS) on one server, text on video, database search, on-screen alarms, live camera switching (1x license for the HEMISPHERE® Site Dongle)

# SeMSy® Interface Module

HEMISPHERE® SeMSy® Interface Module with interfaces to external systems  
in a HEMISPHERE® Security and Business Management System



Plug in Licenses (Note Counter Systems)	
007414	<b>DLD - HEMISPHERE® SeMSy® Plugin Glory (USF-51)</b> License for the use of the Glory plugin (USF-51) on one server, text on video, database search, on-screen alarms, live camera switching (1x license for the HEMISPHERE® Site Dongle)
007415	<b>DLD - HEMISPHERE® SeMSy® Plugin Giesecke &amp; Devrient (BPS C1, C4, M5)</b> License for the use of the Giesecke & Devrient plugin (BPS C1, C4, M5) on one server, text on video, database search, on-screen alarms, live camera switching (1x license for the HEMISPHERE® Site Dongle)

Plugin Licenses (Point of Sales Systems)	
007416	<b>DLD - HEMISPHERE® SeMSy® Plugin InfoGenesis Revelation Surveillance (4.1)</b> License for the use of the InfoGenesis Revelation Surveillance plugin (4.1) on one server, text on video, database search (1x license for the HEMISPHERE® Site Dongle)
007417	<b>DLD - HEMISPHERE® SeMSy® Plugin InfoGenesis Revelation Surveillance (4.2)</b> License for the use of the InfoGenesis Revelation Surveillance plugin (4.2) on one server, text on video, database search (1x license for the HEMISPHERE® Site Dongle)
007418	<b>DLD - HEMISPHERE® SeMSy® Plugin InfoGenesis Revelation Surveillance (4.1.6-R2)</b> License for the use of the InfoGenesis Revelation Surveillance plugin (4.1.6-R2) on one server, text on video, database search (1x license for the HEMISPHERE® Site Dongle)
007419	<b>DLD - HEMISPHERE® SeMSy® Plugin Micros 9700 (2.8 Maintenance Release 11)</b> License for the use of the Micros 9700 plugin (2.8 Maintenance Release 11) on one server, text on video, database search, on-screen alarms (1x license for the HEMISPHERE® Site Dongle)
007420	<b>DLD - HEMISPHERE® SeMSy® Plugin Micros 9700 (3.2 Maintenance Release 9)</b> License for the use of the Micros 9700 plugin (3.2 Maintenance Release 9) on one server, text on video, database search, on-screen alarms (1x license for the HEMISPHERE® Site Dongle)
007421	<b>DLD - HEMISPHERE® SeMSy® Plugin Micros 9700 (3.6)</b> License for the use of the Micros 9700 plugin (3.6) on one server, text on video, database search, on-screen alarms (1x license for the HEMISPHERE® Site Dongle)
007422	<b>DLD - HEMISPHERE® SeMSy® Plugin Micros Symphony (2.4 / 2.6 MR1-HF2 2.610.102.206)</b> License for the use of the Micros Symphony plugin (2.4 / 2.6 MR1-HF2 2.610.102.206) on one server, text on video, database search, on-screen alarms (1x license for the HEMISPHERE® Site Dongle)
007423	<b>DLD - HEMISPHERE® SeMSy® Plugin Micros Symphony (1.4 / 1.6)</b> License for the use of the Micros Symphony plugin (1.4 / 1.6) on one server, text on video, database search (1x license for the HEMISPHERE® Site Dongle)
007986	<b>DLD - HEMISPHERE® SeMSy® Plugin Shiji POS System</b> License for the use of the Shiji POS System plugin on one server, text on video, database search, on-screen alarms, live camera switching (1x license for the HEMISPHERE® Site Dongle)

