

WCPA - Support Plate Adapter

Reinforcing Support Plate WCPA for Adaptation of the Wall Brackets WBMA and WBOVA2

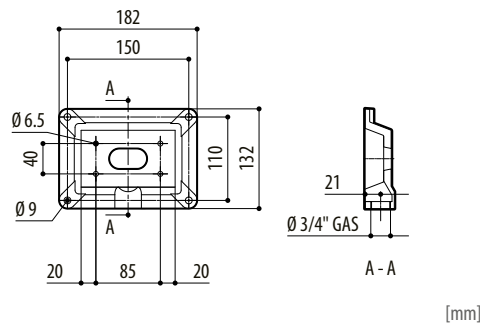


Features

- Suitable for indoor and outdoor installations
- Mounting on the wall or on modular adapters
- Compatible with wall mount brackets WBMA and WBOVA2
- Compatible with modular adapter DBHWGC

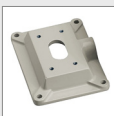
Specifications

- Construction material: Die-cast aluminium
- Load rating: 50 kg (110 lb)
- Color: RAL 9002 (grey white)
- Weight: 0.6 kg (1.3 lb)



Adapter

004386



WCPA - Support Plate Adapter

Reinforcing support plate WCPA for adapting the wall brackets WBMA, WBOVA2 and IR housing wall mount bracket

Dallmeier electronic GmbH & Co.KG | Bahnhofstr. 16, 93047 Regensburg, Germany | +49 941 8700-0 | dallmeier.com

All trademarks identified by * are registered trademarks of Dallmeier electronic GmbH & Co.KG.

Third-party trademarks are named for information purposes only. Dallmeier electronic respects the intellectual property of third parties and always attempts to ensure the complete identification of third-party trademarks and indication of the respective holder of rights. In case that protected rights are not indicated separately, this circumstance is no reason to assume that the respective trademark is unprotected.

Specifications subject to change without notice. Errors and misprints excepted. Pictures may differ from the actual product.



See more.