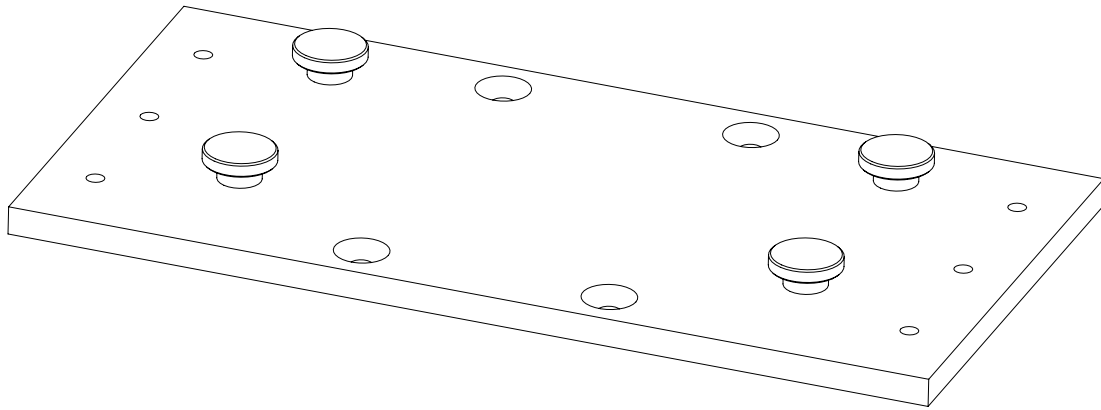


# Panomera® S4–S8 Ceiling Mount Set 3D

Set for Panomera® S4–S8, compatible with Panomera® M/L – 3D Mount Bracket



## Features

- Adapter set for Panomera® S4–S8
- Compatible with Panomera® M/L – 3D Mount Bracket (item No. 005305)
- 4x Countersunk screw with hexagon socket M6x25 included (for mounting with sunshield)
- Suitable for indoor and outdoor installations

Specifications	
Construction material	Aluminum
Finish	Powder coated
Color	RAL 9002 (gray white)
Weight	1 kg (2.2 lb)

Panomera® Mounting Accessories		Quantity	Price/Unit in €
006652	<b>Panomera® S4–S8 Ceiling Mount Set 3D</b> Set for Panomera® S4–S8, compatible with Panomera® M/L – 3D Mount Bracket (005305)	1+ 0	0,00
005305	<b>Panomera® M/L – 3D Mount Bracket</b> Bracket with 3-axis joint for Panomera® S4–S8	1+ 0	0,00