

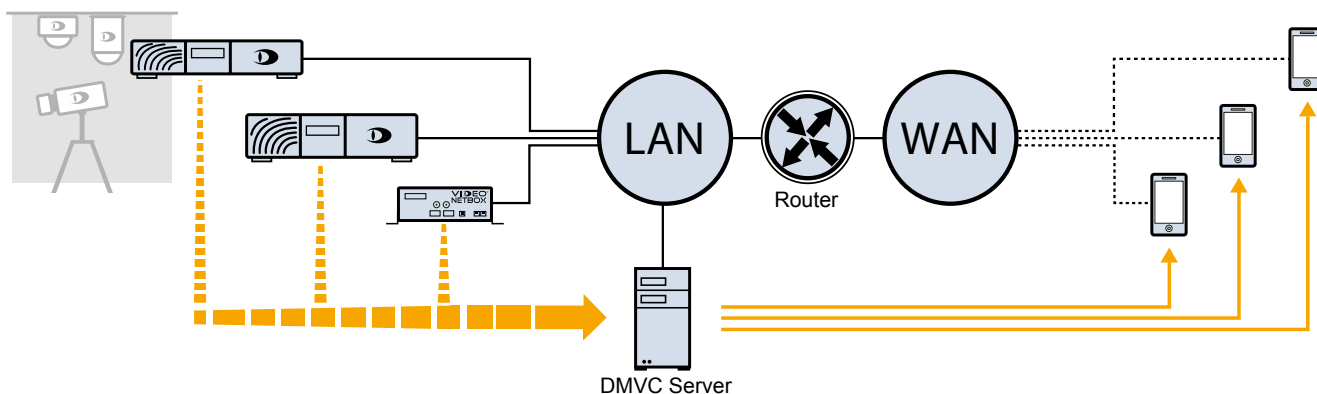
DMVC Server

Server Software for DMVC App, 5 Clients, 4 Recorders, HD

DMVC SERVER



DMVC Server is a video server software for the connection of a local network consisting of several Dallmeier recording systems to the Internet using a joint external IP address. Together with the smartphone application **DMVC App**, all live images or recordings can be accessed over 3G/UMTS or WiFi without reference to time and place.



The software **DMVC Server** can be installed and operated on an office PC with standard up-to-date hardware. The integrated graphic user interface allows for a fast and easy configuration. In addition to the integrated user administration and authorisation/rights management, using the client whitelist function ensures a personalized and abuse-protected access to the connected Dallmeier recording systems.

Features

- Simultaneous access of **5 clients**
- Access to up to **4 recorders**
- Supports **HD cameras**
- Only one IP address required due to the **routing** function
- Integrated **client whitelist**
- Integrated **user management**
- Suitable for Dallmeier recorders **without PRemote**
- Suitable for Dallmeier recorders as of version 7.1.0

System Requirements

- Operating system Windows[®] 7 or 10 (64 Bit)
- Intel QuadCore 2.33 GHz CPU (or comparable)
- 2 GB memory
- 100/1000Mbps Ethernet interface

Software	
004171	DMVC Server R1 DMVC Server software with license dongle for the connection of 1 recorder
004172	DMVC Server R2 DMVC Server software with license dongle for the connection of 2 recorders
004173	DMVC Server R3 DMVC Server software with license dongle for the connection of 3 recorders
004174	DMVC Server R4 DMVC Server software with license dongle for the connection of 4 recorders