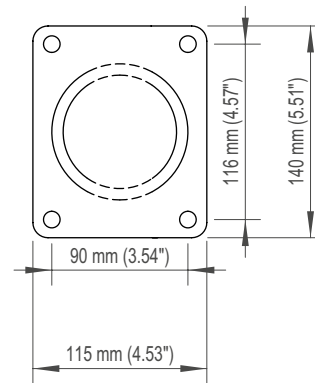
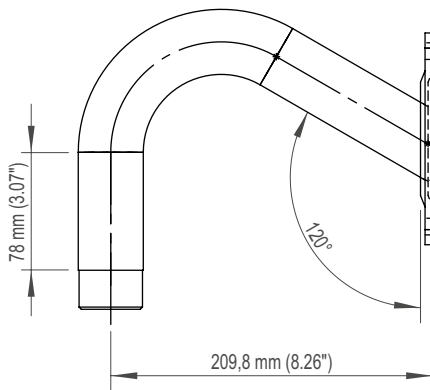


# Wall Mount Bracket

Outdoor, White, for Weather-Proof Housing



- Die-cast aluminium
- Color RAL 9016 traffic white
- Load rating 10 kg (22 lb)
- Weight 1.3 kg (2.87 lb)
- Suitable for indoor and outdoor installations

## Mounting accessories

001109		<b>Wall Mount Bracket</b> Outdoor, white, for weather-proof housing
--------	--	--

## Compatible mounting accessories

001115		<b>Mounting Plate</b> Outdoor, white, for Wall Mount Bracket (surface mounting), for Ceiling Mount Bracket (surface mounting), for Junction Box DJB-115W (corner and pole mounting)
001112		<b>Corner Mount Bracket</b> Outdoor, white, for weather-proof housing
001111		<b>Pole Mount Bracket</b> Outdoor, white, poles with 76-230 mm diameter, for weather-proof housing

# Wall Mount Bracket

Outdoor, White, for Weather-Proof Housing

## Installation Examples

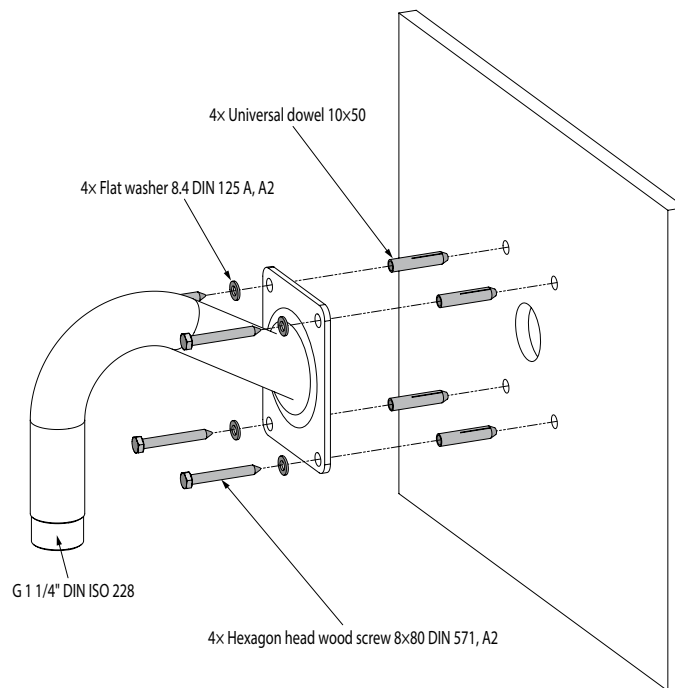


Fig. 1: In-wall wiring

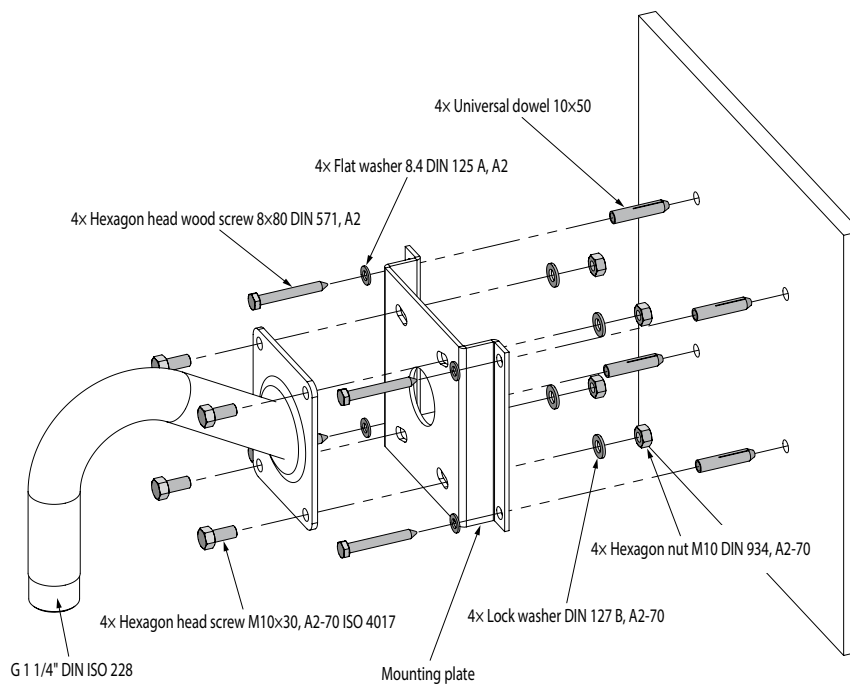


Fig. 2: On-wall wiring

# Wall Mount Bracket

Outdoor, White, for Weather-Proof Housing

## Installation Examples

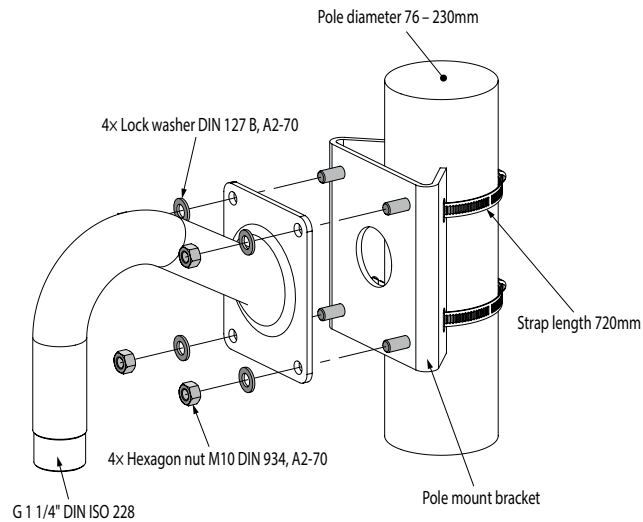


Fig. 3: Pole mounting

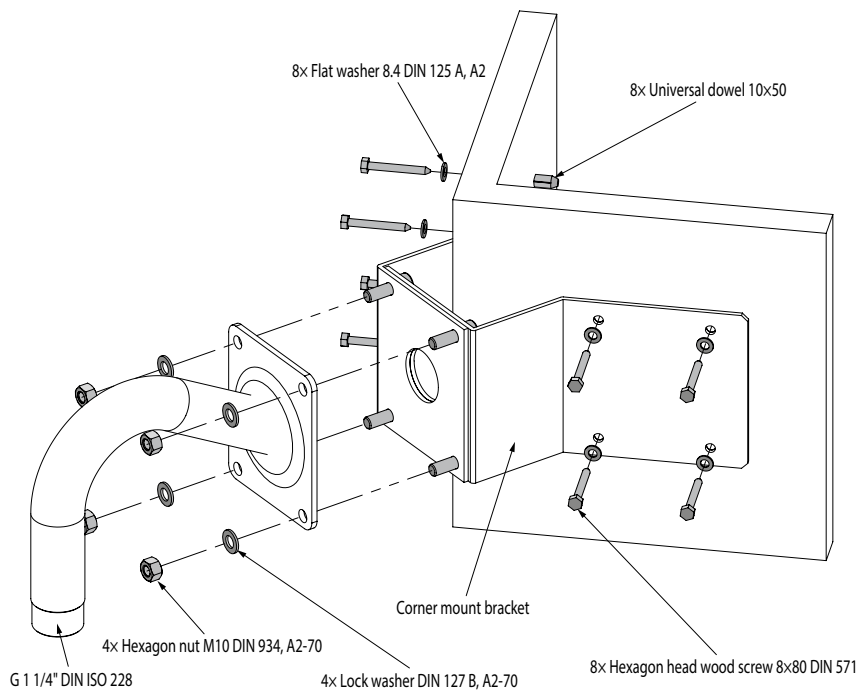


Fig. 4: Corner mounting

# Wall Mount Bracket

Outdoor, White, for Weather-Proof Housing

## Technical Drawings

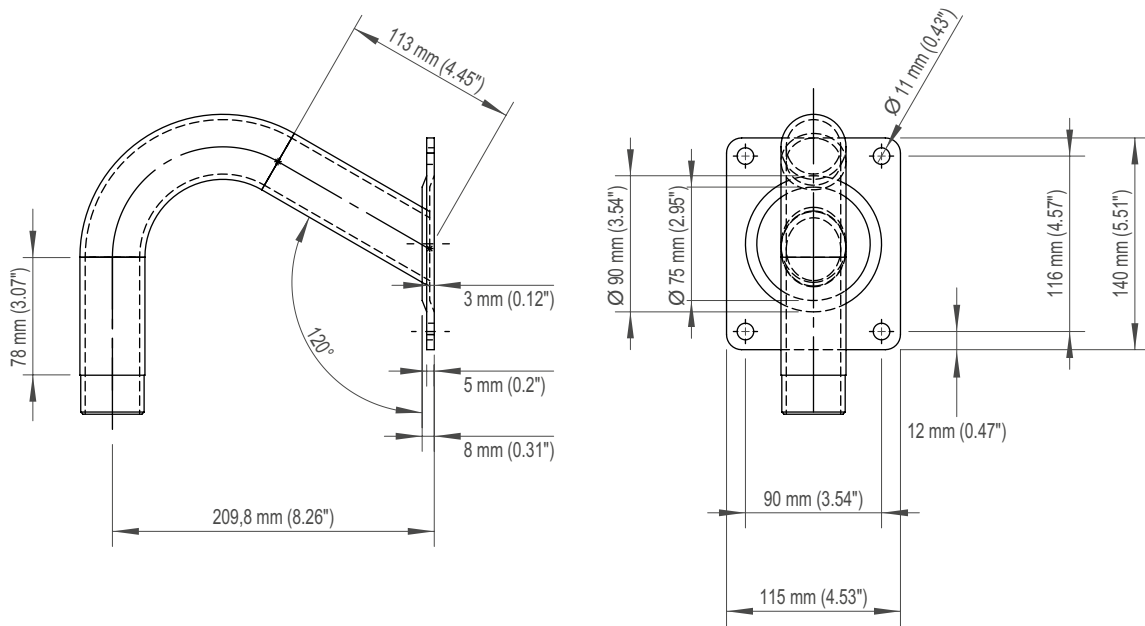


Fig. 5: Wall mount bracket