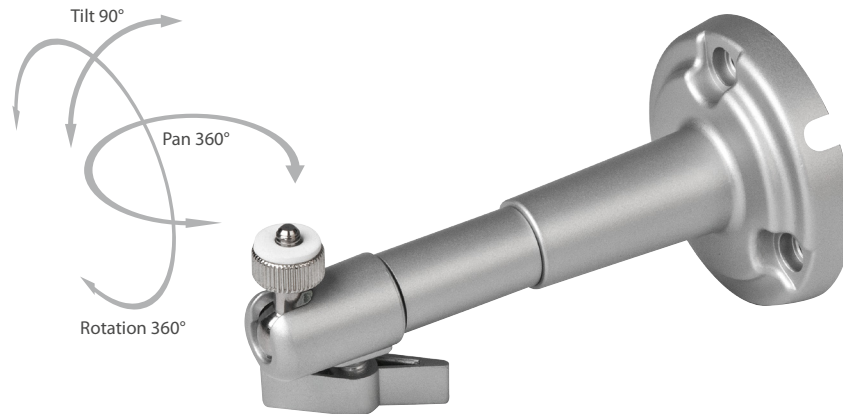


Wall Mount Bracket Indoor (HD Box)

Wall mount bracket (grey) with 1/4" tripod screw for indoor installations of Dallmeier HD box cameras



Features

- 1/4" tripod screw¹⁾ with lock-nut and removable buffer ring
- Side cable entry (for concealed cabling / cavity wall applications)
- 3-axis camera adjustment
- Ball head for flexible and infinitely variable adjustment
- Mechanical locking according to requirements with side-mounted wing screw or hexagon socket set screw
- Easy installation
- Rugged design
- Scratch-resistant
- Neutral grey colour with elegant matt finish
- Foam pad prevents wall damage (scratches) during installation
- Weight only approx. 240 g (0.53 lb)
- Suitable for all Dallmeier HD box cameras

Scope of Delivery

- 3× Phillips pan head self-tapping screw (5 × 35 mm) + 3× Universal plastic screw anchor for wall mounting²⁾
- 1× Hexagon socket set screw (M6 × 8 mm) with cup point ISO 4029 (DIN 916)
- 1× Allen key (wrench size 3.0)

Item
003952 Wall Mount Bracket Indoor (HD Box) Grey, 1/4" tripod screw, for HD box cameras

1) 20 threads per inch

2) Always use screws suitable for the wall material and the correct type of anchor for your wall type, such as plastic screw anchors for solid wall material (concrete/brick) or toggle bolt style anchors for dry and hollow walls (plaster).

Wall Mount Bracket Indoor (HD Box)

Wall mount bracket (grey) with 1/4" tripod screw for indoor installations of Dallmeier HD box cameras

Dimensions

