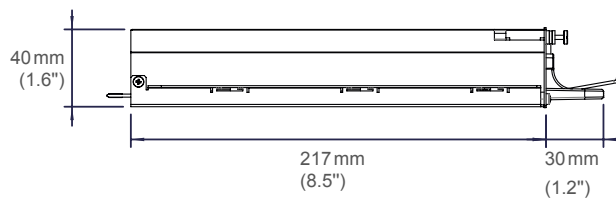
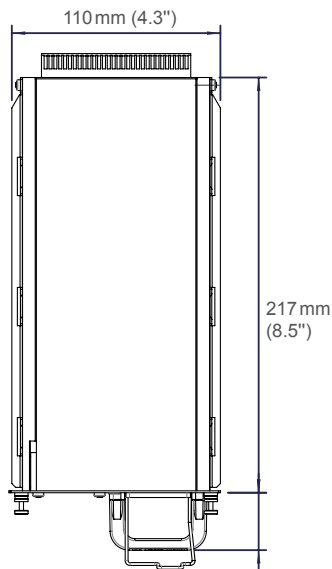



DPM-150W

Power Supply Module 150 W, 115/230 V AC, 50/60 Hz



Hardware	
004064	 DPM-150W Power supply module 150 W, 115/230 V AC $\pm 5\%$, 50/60 Hz

Electrical Data	
Input voltage	115/230 V AC $\pm 5\%$, 50/60 Hz
Power consumption	Max. 250 W
Output power	171 VA at nominal operation
Efficiency	> 70% at nominal operation
Mains failure buffer	> 100 ms at an output power of 100 VA
MTBF	> 75.000 hours at nominal operation and 50°C (122° F)

Mechanical Data	
Dimensions (W x H x D)	Approx. 109 x 40 x 217 mm (4.3" x 1.6" x 8.5")
Weight	Approx. 850 g (1.87 lb)

Ambient Data	
Temperature	0°C up to +50°C (32°F – 122°F)
Recommended temperature	+20°C up to +25°C (68°F – 77°F)
Humidity	5 – 70% RH, non-condensing
Atmospheric load	Dust-free

Approvals and Certifications	
Type	CE