

# Wall Mount Bracket (SM Housing)

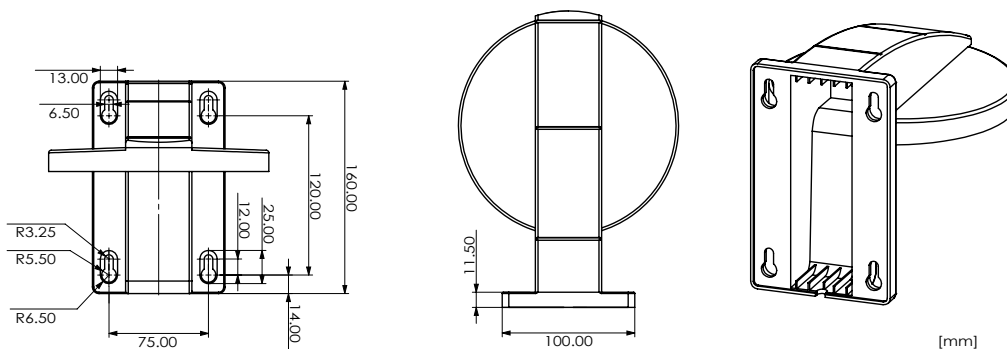
Wall Mount Bracket with Seals and Internal Cable Routing, for Vandal-Resistant (IK10) Surface-Mount Housing (152 mm)



### Features

- Internal cable routing
- Seals for camera and wall
- For indoor and outdoor installation
- Compatible with vandal-resistant surface-mount housing

Specifications	
Construction material	Die-cast aluminium
Load rating	3 kg (6.6 lb)
Color	RAL 9016 (traffic white)
Weight	0.8 kg (1.7 lb)



### Mounting Accessories

005017



**Wall Mount Bracket (SM Housing)**  
 Wall mount bracket with seals and internal cable routing, for vandal-resistant (IK10) surface-mount housing (152 mm)