

WCWA – Corner Mount Adapter

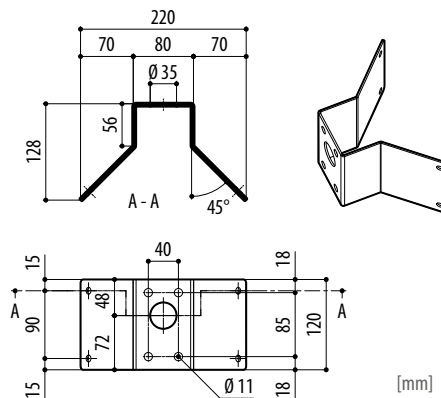
Corner Mount Adapter WCWA for Corner Mounting



Compatibility Wall Mount Bracket

- WBMA
- WBOVA2

Specifications	
Construction material	Steel
Load rating	30 kg (66 lb)
Color	RAL 9002 (grey white)
Weight	1 kg (2.2 lb)



Mounting Accessories

004390 WCWA – Corner Mount Adapter
Corner mount adapter WCWA for corner mounting