

WFWCA – Ceiling Mount Bracket

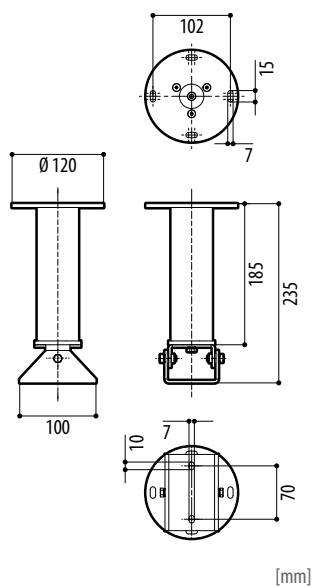
Ceiling Mount Bracket WFWCA with Integrated Joint, Compatible with Panomera® S5–S8



Features

- Ceiling mount bracket with integrated joint
- Suitable for indoor and outdoor installations
- Compatible with Panomera® S5–S8

Specifications	
Construction material	Die-cast aluminium
Load rating	15 kg (33 lb)
Color	RAL 9002 (grey white)
Weight	0.5 kg (1.1 lb)
Length	185 mm (7.3")



Panomera® Mounting Accessories

004385 WFWCA – Ceiling Mount Bracket
Ceiling mount bracket WFWCA with integrated joint, compatible with Panomera® S5–S8